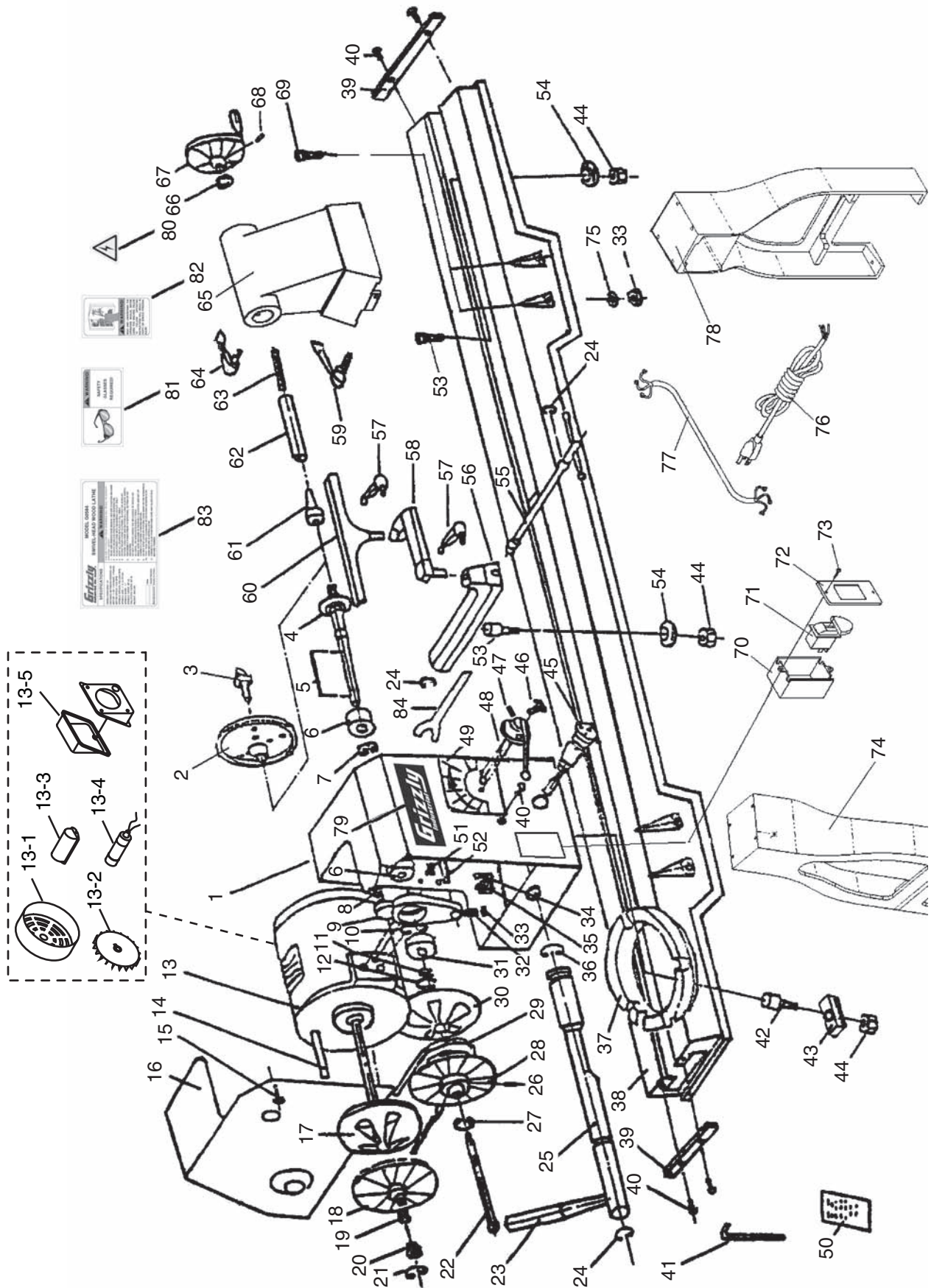


Parts Breakdown



REF	PART #	DESCRIPTION
1	P0584001	HEADSTOCK
2	P0584002	FACEPLATE 6"
3	P0584003	SPUR CENTER MT#2
4	P0584004	SPINDLE 1"-12 TPI RH
5	PK93M	KEY 4 X 4 X 80
6	P6205	BALL BEARING 6205
7	PR11M	EXT RETAINING RING 25MM
8	P0584008	COMPRESSION SPRING
9	P0584009	SHIFTING LEVER BRACKET
10	PR06M	EXT RETAINING RING 16MM
11	PR11M	EXT RETAINING RING 25MM
12	PR15M	EXT RETAINING RING 30MM
13	P0584013	MOTOR 1/2HP, 110V, 1725
13-1	P0584013-1	FAN COVER
13-2	P0584013-2	FAN
13-3	P0584013-3	CAPACITOR COVER
13-4	PC200B	CAP. 200M 125V 3.25" X 1.25"
13-5	P0584013-5	JUNCTION BOX
14	PK93M	KEY 4 X 4 X 80
15	PS05M	PHLP HD SCR M5-.8 X 8
16	P0584016	MOTOR COVER
17	P0584017	MOTOR PULLEY(RIGHT)
18	P0584018	MOTOR PULLEY(LEFT)
19	P0584019	COMPRESSION SPRING
20	P0584020	SLEEVE
21	PR06M	EXT RETAINING RING 16MM
22	P0584022	PUSH-OUT ROD
23	P0584023	QUICK RELEASE HANDLE
24	PR08M	EXT RETAINING RING 19MM
25	P0584025	ECCENTRIC ROD
26	P0584026	HOLO KNURL SET SCR M6 X 10
27	PR58M	EXT RETAINING RING 24MM
28	P0584028	SPINDLE PULLEY(LEFT)
29	PVM24	V-BELT M-24 3L240
30	P0584030	SPINDLE PULLEY(RIGHT)
31	P6206	BALL BEARING 6206
32	PSS09M	SET SCREW M8-1.25 X 20
33	PN03M	HEX NUT M8-1.25
34	P0584034	TWO WIRE CLAMP
35	PN04M	HEX NUT M4-.7
36	PR10M	EXT RETAINING RING 22MM
37	P0584037	TURNING BASE
38	P0584038	BED
39	P0584039	BAFFLE
40	PS09M	PHLP HD SCR M5-.8 X 10

REF	PART #	DESCRIPTION
41	PAW06M	HEX WRENCH 6MM
42	P0584042	BED CLAMP BOLT-A
43	P0584043	BED CLAMP-A
44	PN15M	HEX NUT M18-1.5
45	P0584045	SWIVEL PIN ASSEMBLY
46	PS08M	PHLP HD SCR M5-.8 X 12
47	PSS14M	SET SCREW M8-1.25 X 12
48	P0584048	GEAR ASSEMBLY
49	P0584049	SPEED LABEL
50	P0584050	SPEED INSTRUCTION LABEL
51	PB26M	HEX BOLT M8-1.25 X 30
52	PLW04M	LOCK WASHER 8MM
53	P0584053	BED CLAMP BOLT-B
54	P0584054	BED CLAMP-B
55	P0584055	ECCENTRIC ROD
56	P0584056	TOOL REST BODY
57	P0584057	HANDLE ASSY M10-1.5 X 15
58	P0584058	EXTENSION TOOL REST
59	P0584059	TAILSTOCK LOCK HANDLE
60	P0584060	TOOL REST
61	P0584061	TAILSTOCK LIVE CENTER MT#2
62	P0584062	TAILSTOCK QUILL
63	P0584063	TAILSTOCK LEADSCREW
64	P0584064	HANDLE ASSY M10-1.5 X 20
65	P0584065	TAILSTOCK
66	PW14M	FLAT WASHER 15MM
67	P0584067	HANDWHEEL
68	P0584068	CONE SET SCREW M8-1.25 X 10
69	PSB40M	CAP SCREW M8-1.25 X 35
70	P0584070	SWITCH BOX
71	PSW06	PADDLE SWITCH W/KEY
71-1	PSW09-1	REPLACEMENT SWITCH KEY
72	P0584072	SWITCH BOX PLATE
73	PS07M	PHLP HD SCR M4-.7 X 8
74	P0584074	STAND LEG (LEFT)
75	PLW04M	LOCK WASHER 8MM
76	PWRCRD110L	POWER CORD 110V, W/PLUG
77	PWRCRD110S	POWER CORD 110V, SHORT
78	P0584078	STAND LEG (RIGHT)
79	P0584079	GRIZZLY LOGO LABEL
80	PLABEL-14	ELECTRICITY WARNING LABEL
81	P0584081	SAFETY GLASSES LABEL-HORZ
82	PLABEL-12	READ MANUAL LABEL
83	P0584083	G0584 MACHINE ID LABEL
84	P0584084	FLAT WRENCH 32MM